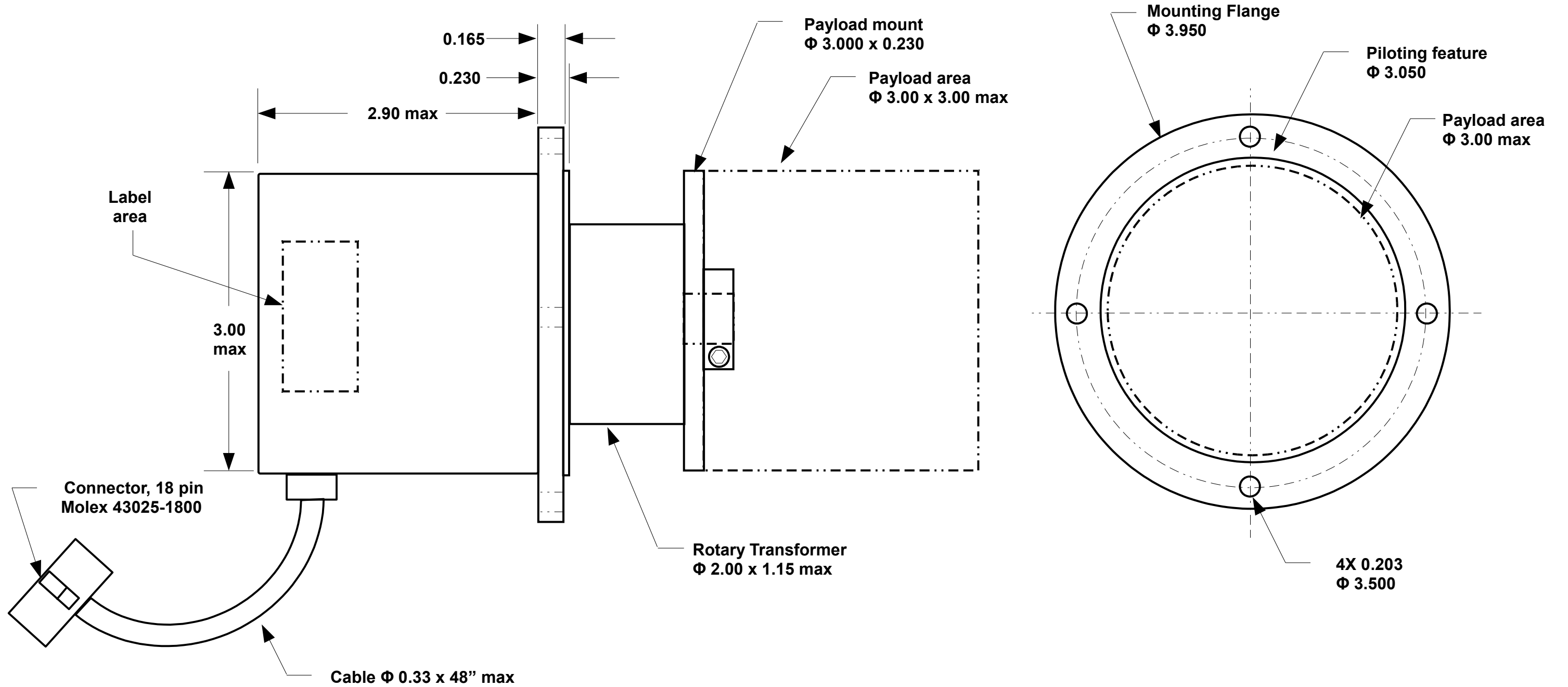


Notes

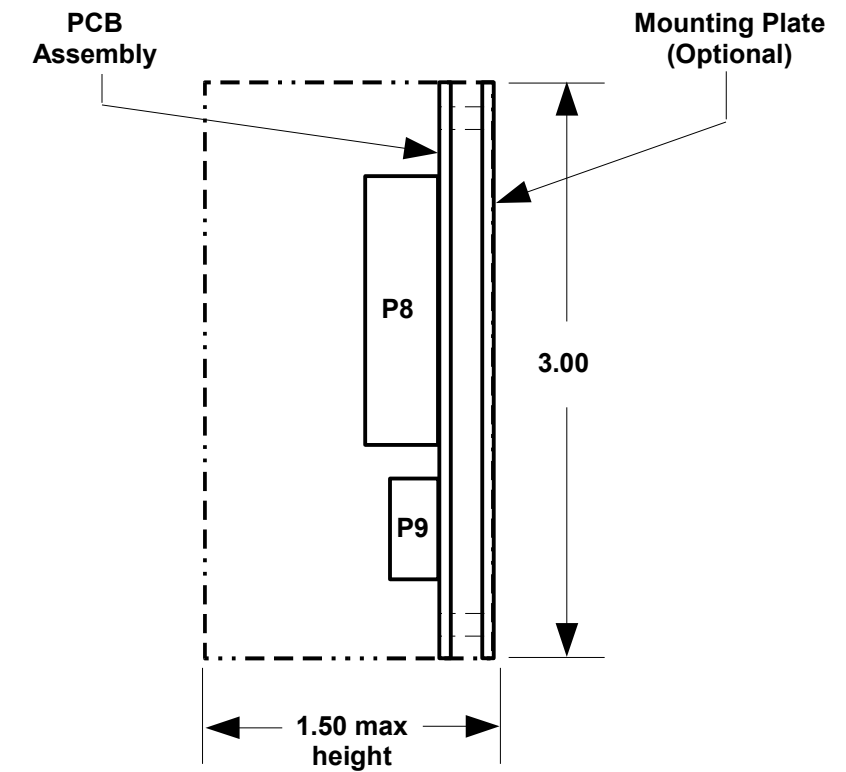
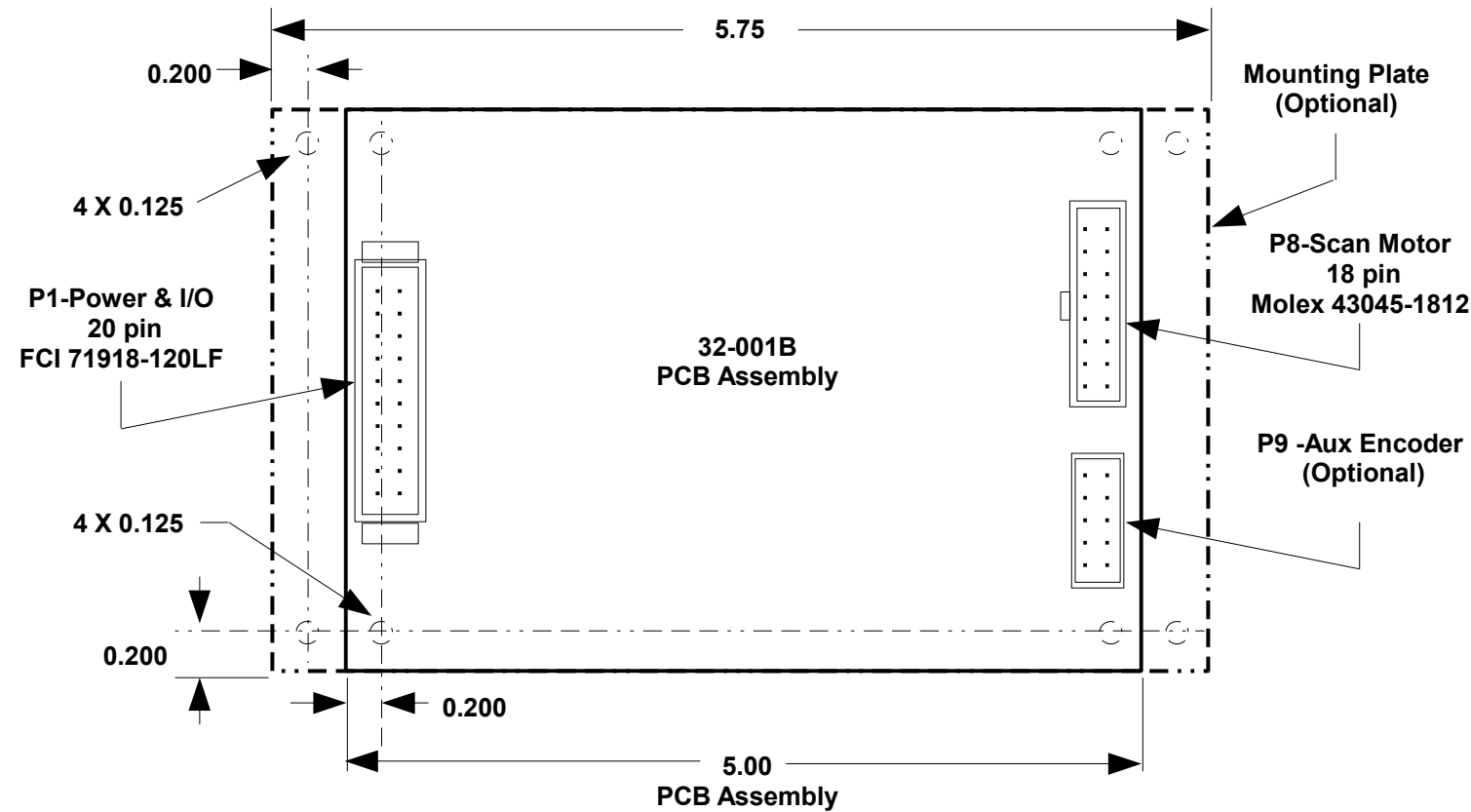
LTR	Description	ECN No.	Date	Initial
A	Initial Release	1201	5-25-2012	E.E.
B	Update per ECN	1401	3-12-2014	E.E.



Material	Proprietary Information Do not share with a third party without written approval from SignalTronix	Tolerances unless otherwise specified: X.XXX = ±0.005" X.XX = ±0.01" Angles = ± 0.5°	Date 3-12-2014		Part No. 2300-100	Rev. B
Finish		Projection	Approval E.E.		File Name File: 2300100B	Part Name Rotary Scanner Outline & Mounting

Notes

LTR	Description	ECN No.	Date	Initial
A	Initial Release	1201	5-25-2012	E.E.
B	Update per ECN	1401	3-12-2014	E.E.



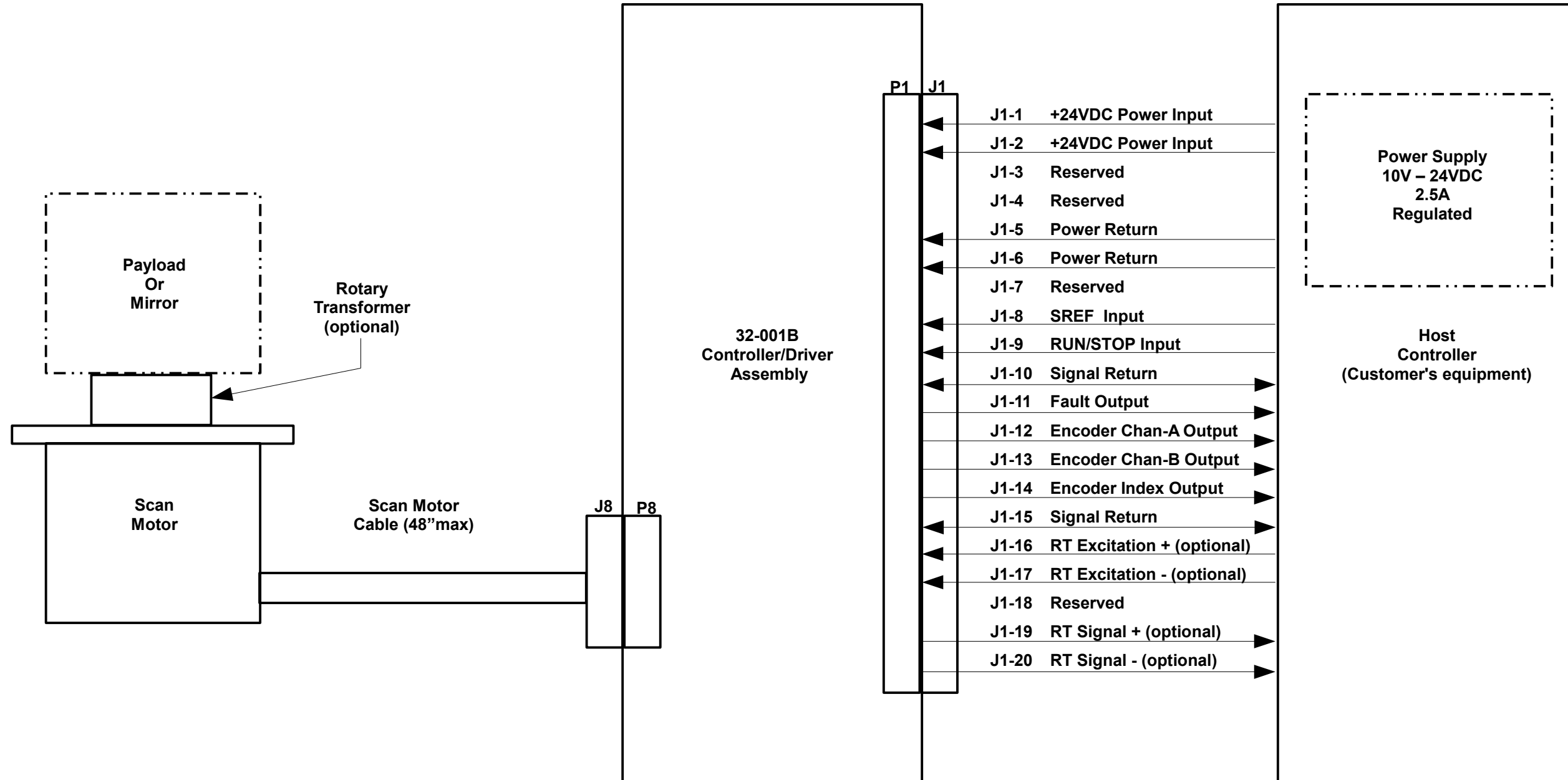
Scan Motor Connector P8		Power and Control Connector P1	
Molex 43045-1812 Mate: 43025-1800		FCI 71918-120LF Mate: 71600-620LF	
J1-1 Motor Phase-A	J2-1 +24VDC Power Input (+12V to +28 range, 2.5A max.)	J2-11 Fault Output	
J1-2 Motor Phase-B	J2-2 +24VDC Power Input (Internally connected to J2-1)	J2-12 Encoder Channel-A Output	
J1-3 Motor Phase-C	J2-3 Reserved	J2-13 Encoder Channel-B Output	
J1-4 Motor Shield	J2-4 Reserved	J2-14 Encoder Index Output	
J1-5 Sensor Power (+5v)	J2-5 Power Return	J2-15 Signal Return	
J1-6 Hall sensor power GND	J2-6 Power Return	J2-16 RT Excitation + (optional)	
J1-7 Hall sensor H1 output	J2-7 Reserved	J2-17 RT Excitation - (optional)	
J1-8 Hall sensor H2 output	J2-8 SREF, Input (HCTTL compatible, RPM = SREF/1250 x 60)	J2-18 Reserved	
J1-9 Hall sensor H3 output	J2-9 RUN/STOP Input (+5V or open = RUN, 0V = STOP)	J2-19 RT Signal + (optional)	
J1-10 Encoder Power (+5V)	J2-10 Signal Return	J2-20 RT Signal - (optional)	
J1-11 RT Excitation + (optional)			
J1-12 RT Excitation - (optional)			
J1-13 RT Signal + (optional)			
J1-14 RT Signal - (optional)			
J1-15 Encoder Channel - A			
J1-16 Encoder Channel - B			
J1-17 Encoder Index			
J1-18 Encoder GND			

Material	Proprietary Information Do not share with a third party without written approval from SignalTronix	Tolerances unless otherwise specified: X.XXX = ±0.005" X.XX = ±0.01" Angles = ± 0.5°	Date 3-12-2014	SignalTronix	Part No. 2300-100	Rev. B
Finish		Projection	Approval E.E.		File Name File: 2300100B	Part Name Rotary Scanner Outline & Mounting

Notes

1. Typical connection configuration
2. Rotation Speed (RPM) = $SREF/1250 \times 60$
3. Maximum Speed: 4000 RPM
4. RT Excitation: 24VAC p-p (max), 25Khz - 50Khz
5. RT Signal: Pulse, 1 μ s – 5 μ s, 5V p-p Typical

LTR	Description	ECN No.	Date	Initial
A	Initial Release	1201	5-25-2012	E.E.
B	Update per ECN	1401	3-12-2014	E.E.



Material	Proprietary Information Do not share with a third party without written approval from SignalTronix	Tolerances unless otherwise specified: X.XXX = ± 0.005 " X.XX = ± 0.01 " Angles = $\pm 0.5^\circ$	Date 3-12-2014		Part No. 2300-100	Rev. B
Finish		Projection	Approval E.E.		File Name File: 2300100B	Part Name Rotary Scanner Outline & Mounting